



QUICK START

POLY STUDIO X52
WALL MOUNT

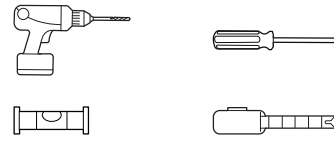


poly.com/support/studio-x52/wm

MANAGEMENT SOFTWARE

POLY LENS
poly.com/lenz

TOOLS



www.poly.com/support/studio-x52

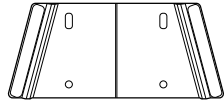
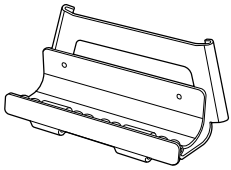
Recyclable where facilities exist

© 2022 Poly. All trademarks are the property of their respective owners.



1725-87988-001B 11.22
Studio X52 Model P033

CONTENTS

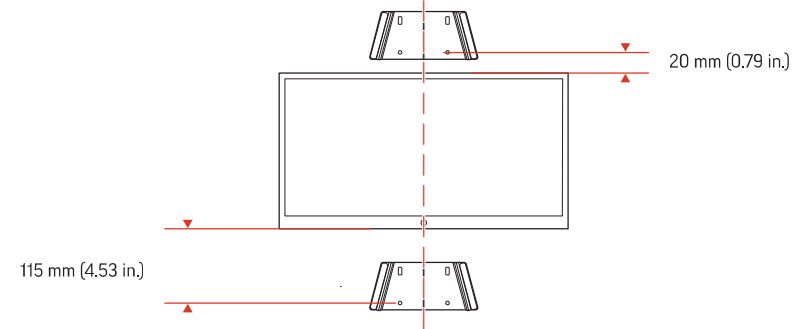


(2) M4 x 8 mm
Screw

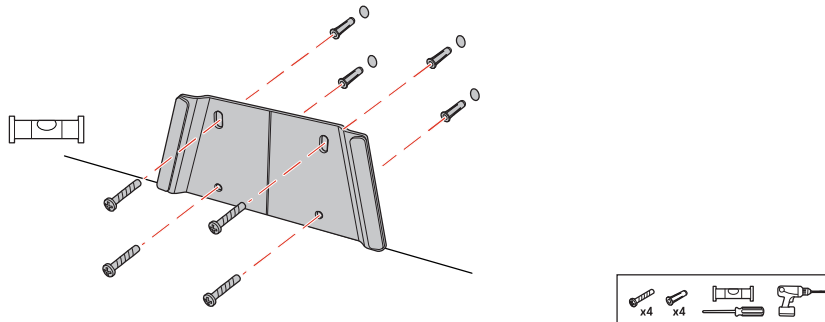
(4) #8 x 1"
Screw

(4) #8 x 7/8"
Plastic Anchor

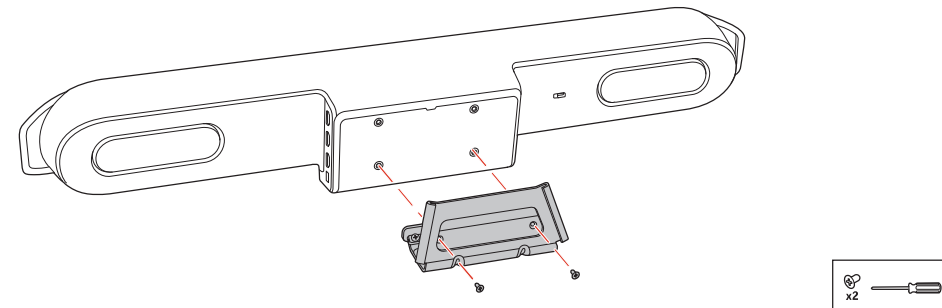
1



2



3



4

